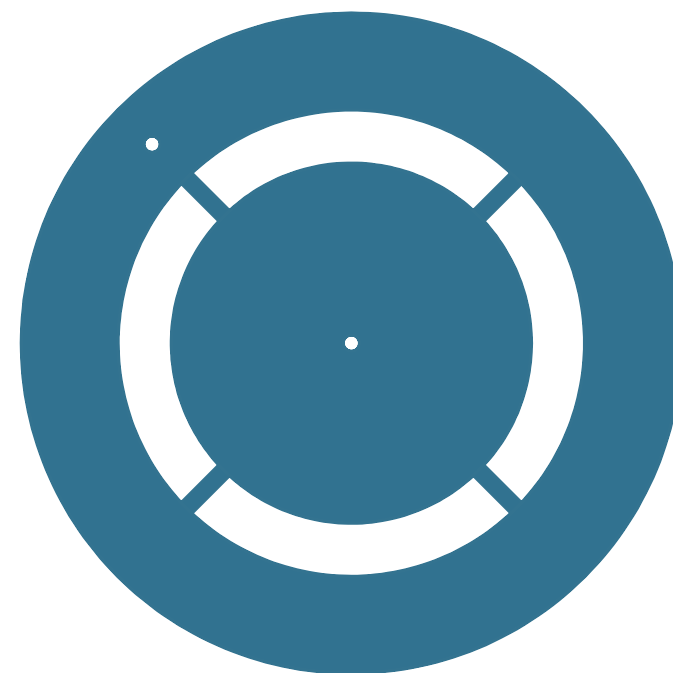
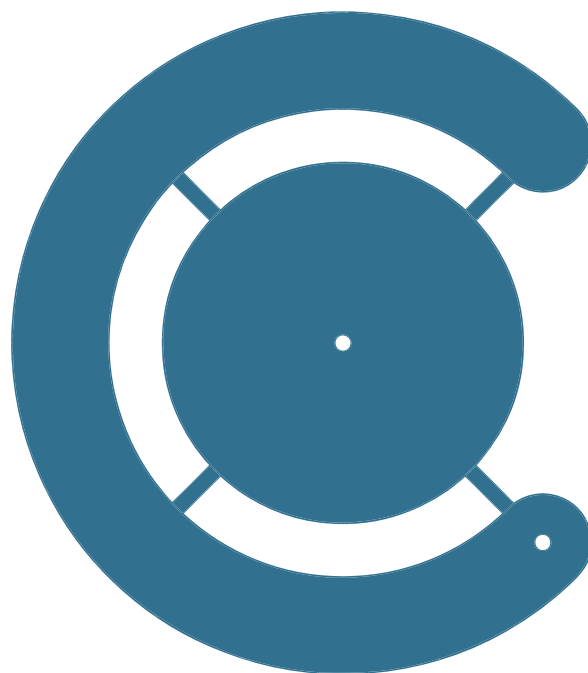
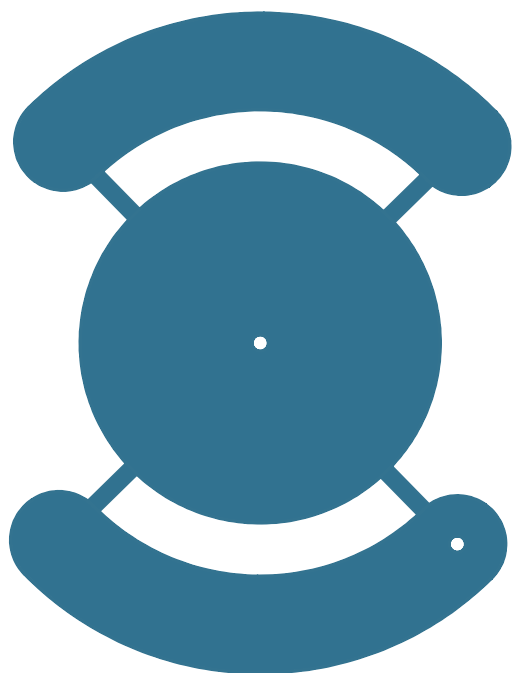


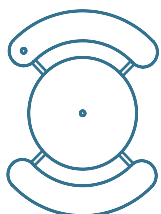
PLATEAU PICNIC ROUND

#203 MOUNTING GUIDE

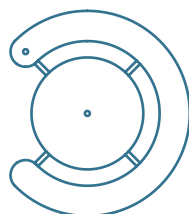


PLATEAU PICNIC ROUND

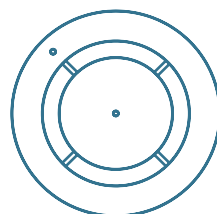
Developed by out-sider in collaboration with Holscher Design.



ROUND I



ROUND C



ROUND O

PLEASE NOTE

The drawings in this manual show PLATEAU Picnic Round I. The exact same mounting principles are adherent to the O and C versions.

INDEX:

PAGE

Item list	02
Fixation of legs onto center tube.....	03
Fixation of seat onto leg frame.....	04
Retighten Legs and seat.....	05
Fixation of table onto center tube.....	06
Fixation of disc	07
Fixation of Point Sun.....	08
Cleaning.....	09

ITEM LIST

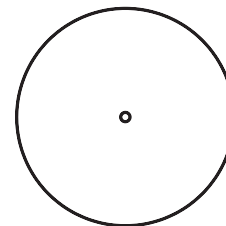
Screws/bolts

- 1x M8x90
- 8x M8x35
- 2x M8 washers
- 1x M8 NUT
- 12x M10x12
- 4x M8 Split Lock Washers

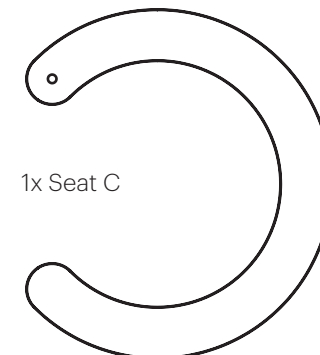
Tools (not included)

- Allen key set
- Socket wrench set

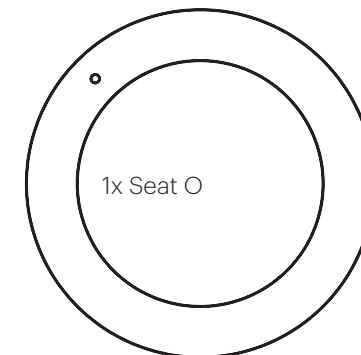
1x Table



1x Seat I



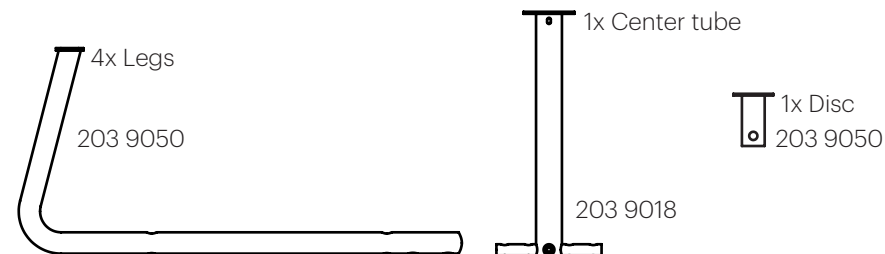
1x Seat C



1x Seat O

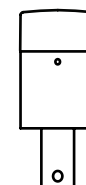
NB!

The seat included is according to the ordered round version O, C or I



ADD-ONS

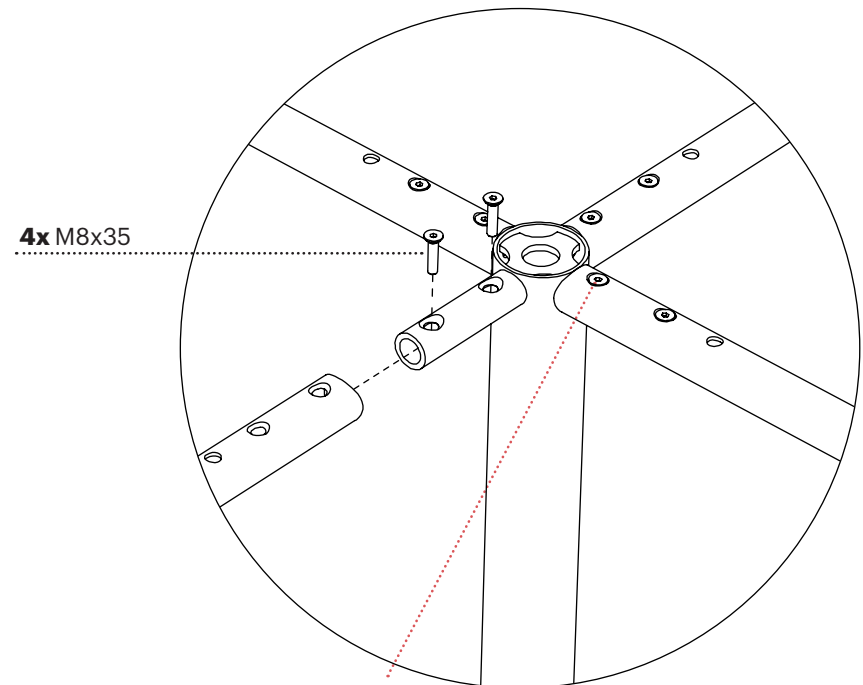
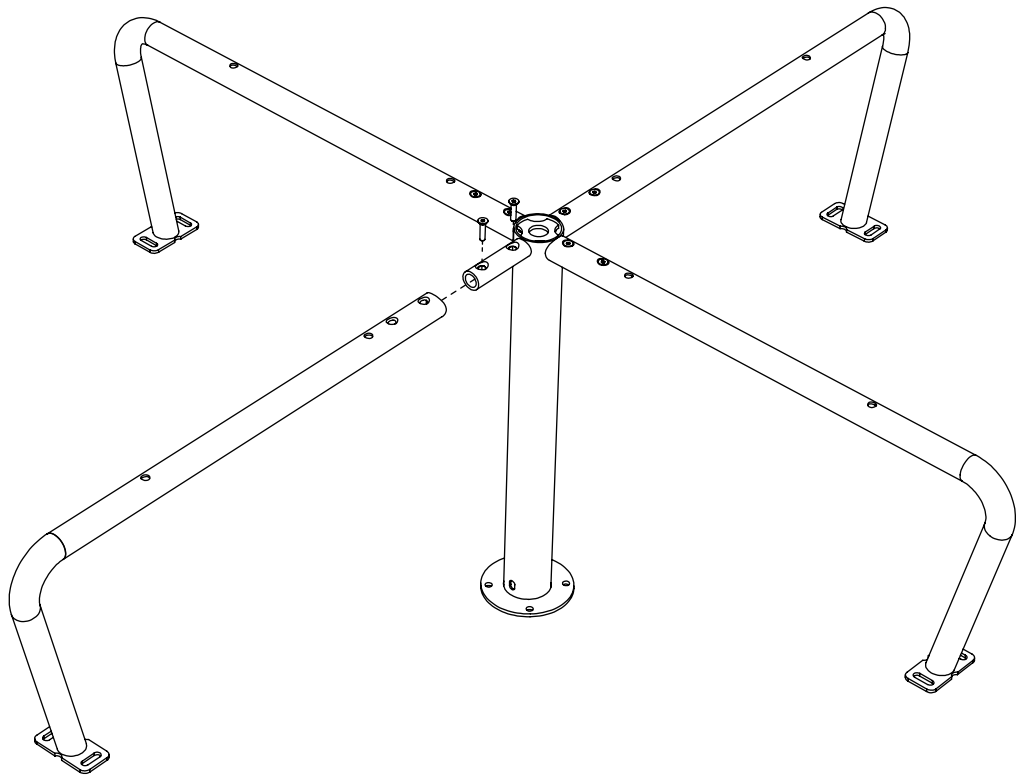
Add-ons, are not included with standard product



1x Point Sun
f. Picnic Round #326

FIXATION OF LEGS ONTO CENTER TUBE

Place the center tube with the flange against the ground. Each leg is mounted with an M8x35 bolt from the inside of the center tube.

**NB!**

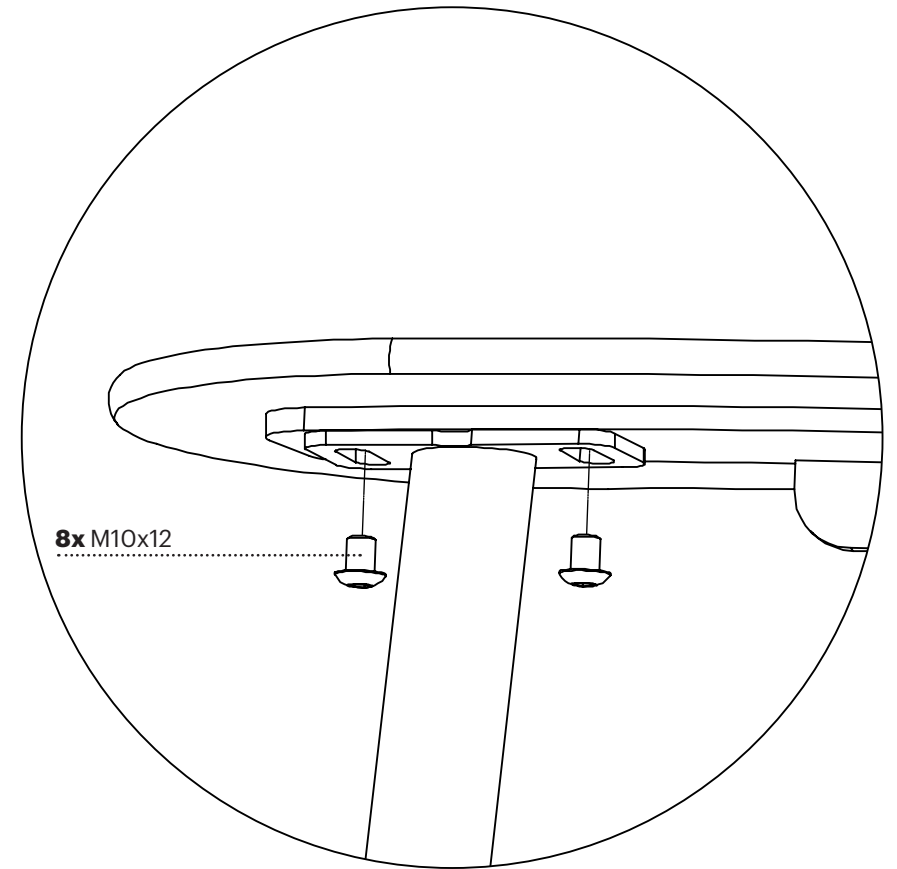
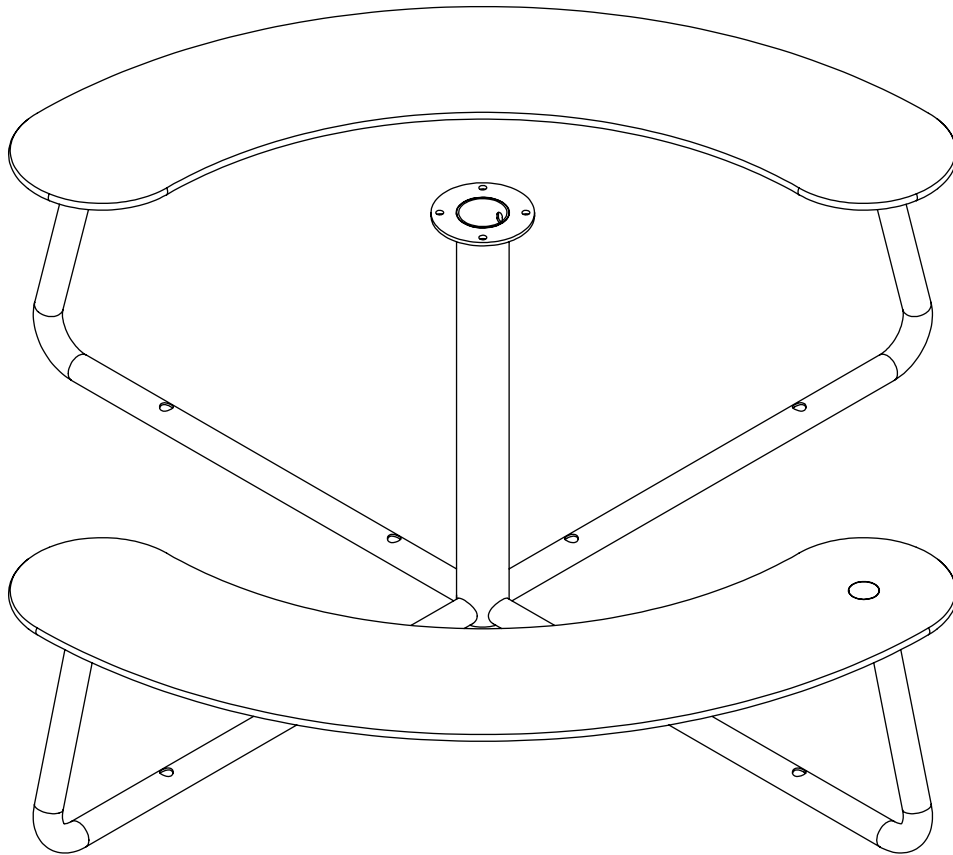
Do not tighten the bolts all the way.
They should first be tightened thoroughly later.

FIXATION OF SEAT ONTO LEG FRAME

After the legs are mounted loosely, the frame is turned over so that the seat can be placed on top. The seat comes with a steel frame, ready for fastening. All 8x M10x12 bolts are loosely screwed in.

Placement of seat

Carefully place the seat on top of the leg frame.



Fastening of the seat

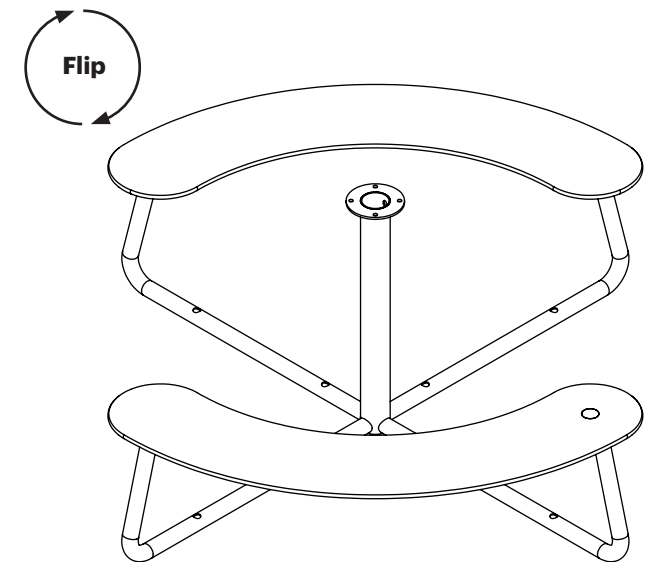
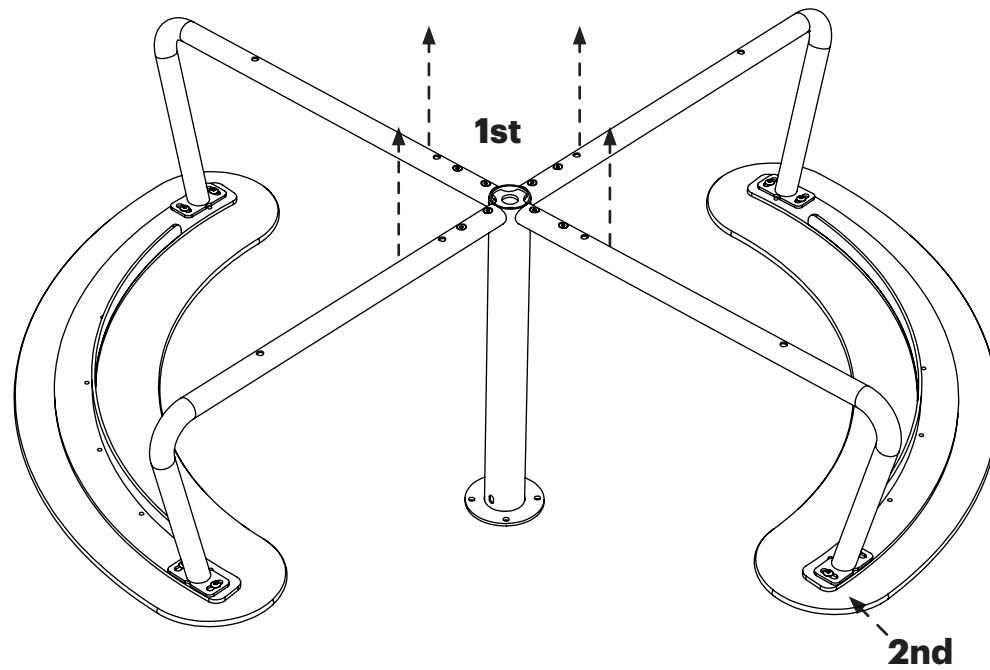
Use M10x12 bolts to fasten the seat to all four legs. **NB!** Do not tighten all the way.

RETIGHTEN LEGS AND SEAT

Turn over the table again and retighten the bolts in the center tube first, and then the bolts underneath the seat. It is important to tighten these bolts securely at this stage. After retightening, turn the table over again in the correct orientation.

NB!

Pull up on the legs while tightening.
Tighten the bolts securely.

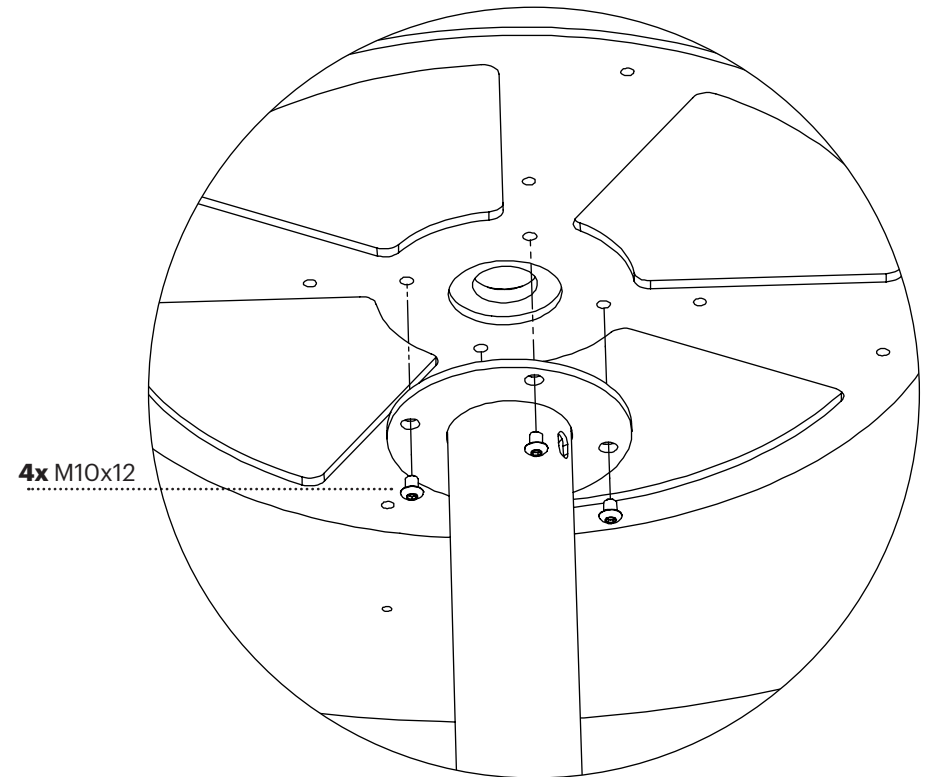
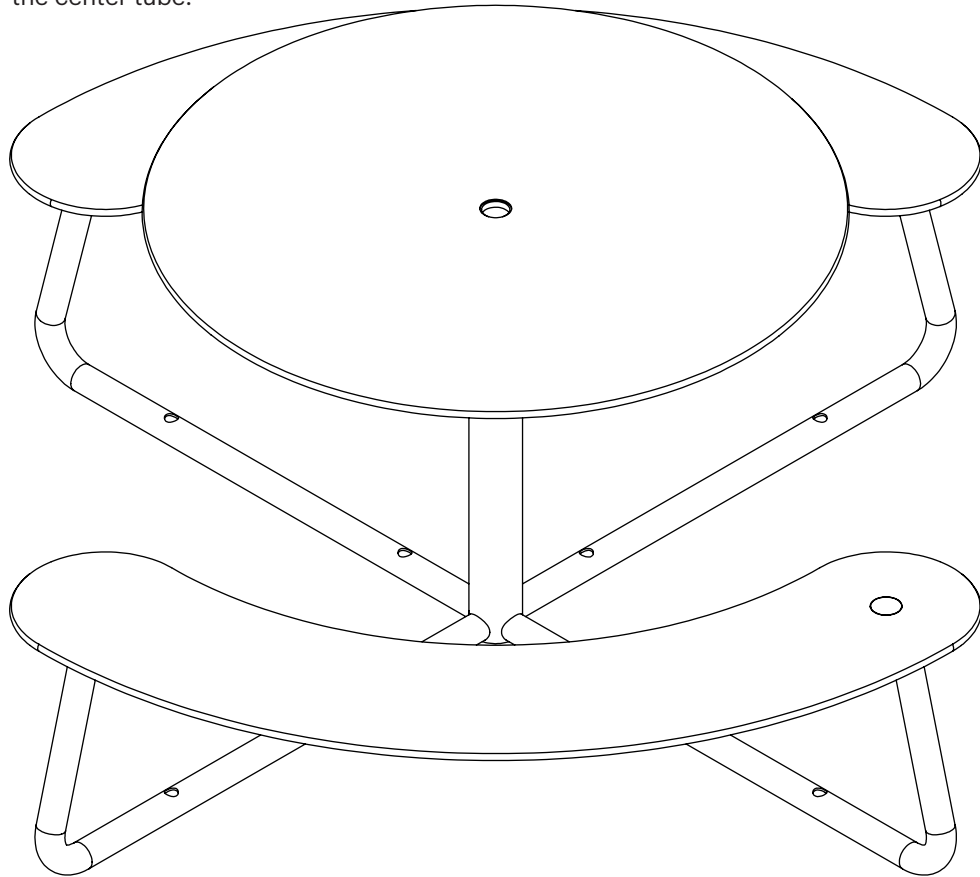


FIXATION OF TABLE ONTO CENTER TUBE

After the seat has been fitted, the table can be carefully laid on the top of the center tube. The table comes with a steel frame, ready for mounting on the center tube. All 4x M10x12 bolts are loosely screwed in and retightened.

Placement of table

Carefully place the table on top of the center tube.



Fastening of the table

Use M10x12 bolts to fasten the tables to the center tube.

FIXATION OF DISC

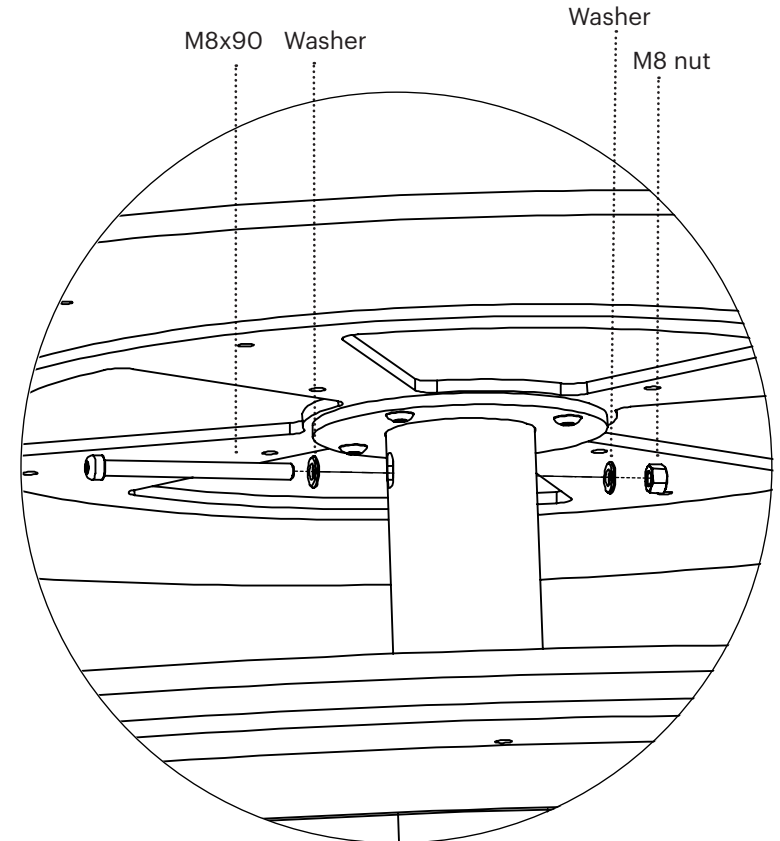
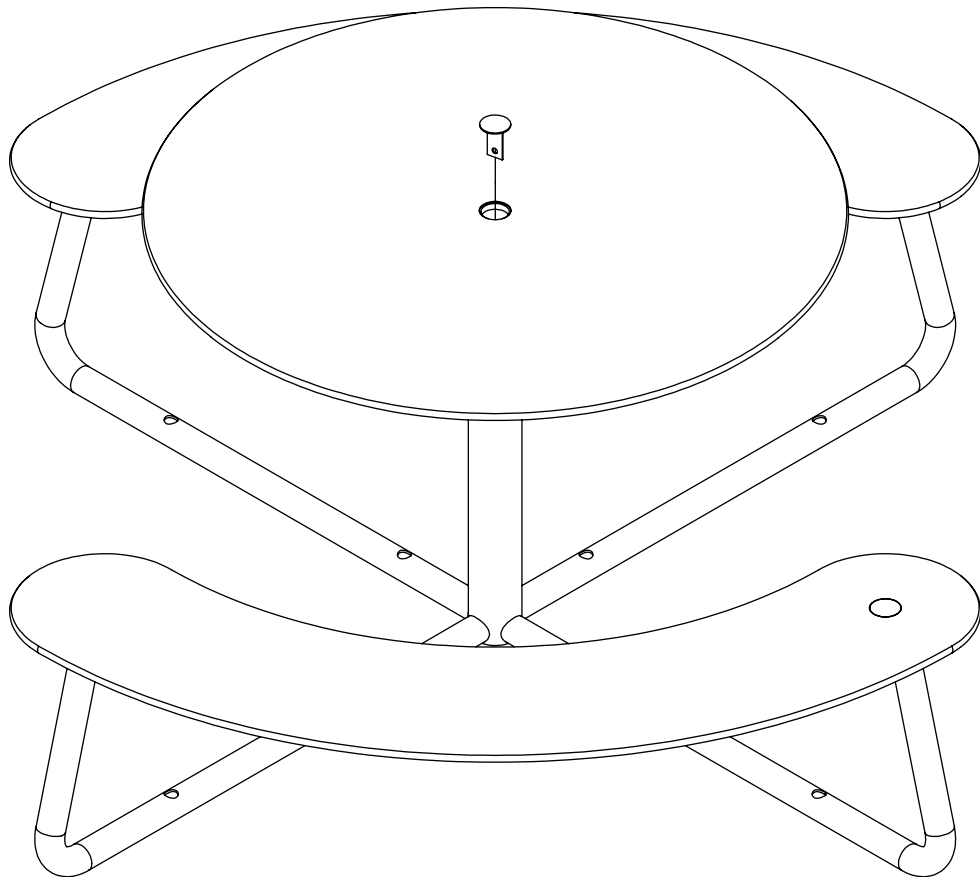
Lastly, insert the disc and fixate it through the center tube. Use M8x90, washers and nut.

Insert the disc

The disc fits in the milled surface.

ATTENTION:

- The disc will skewed if the bolt is tightned too hard.

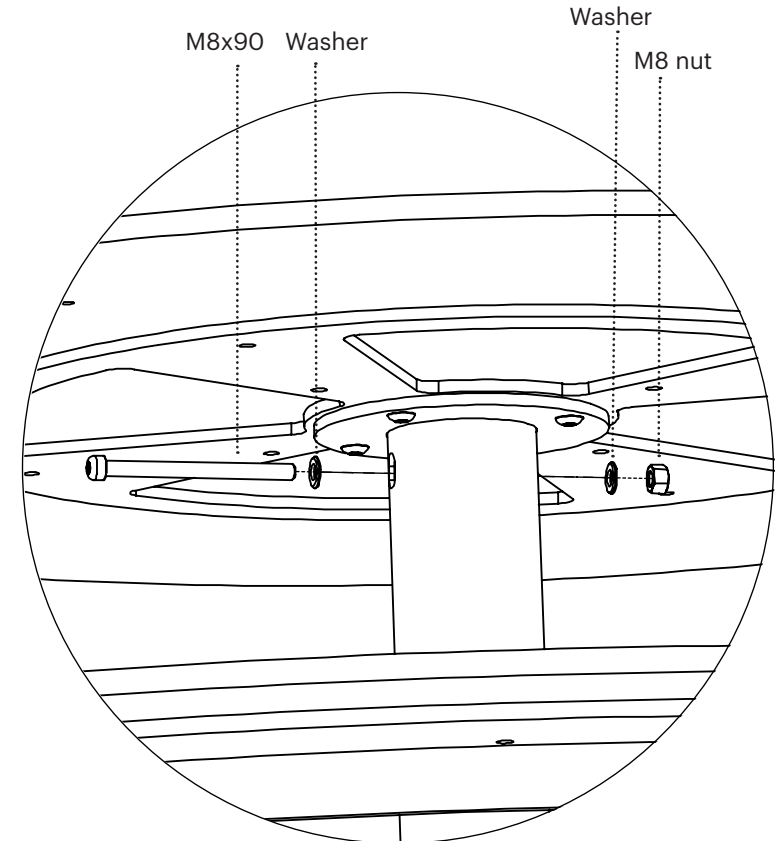
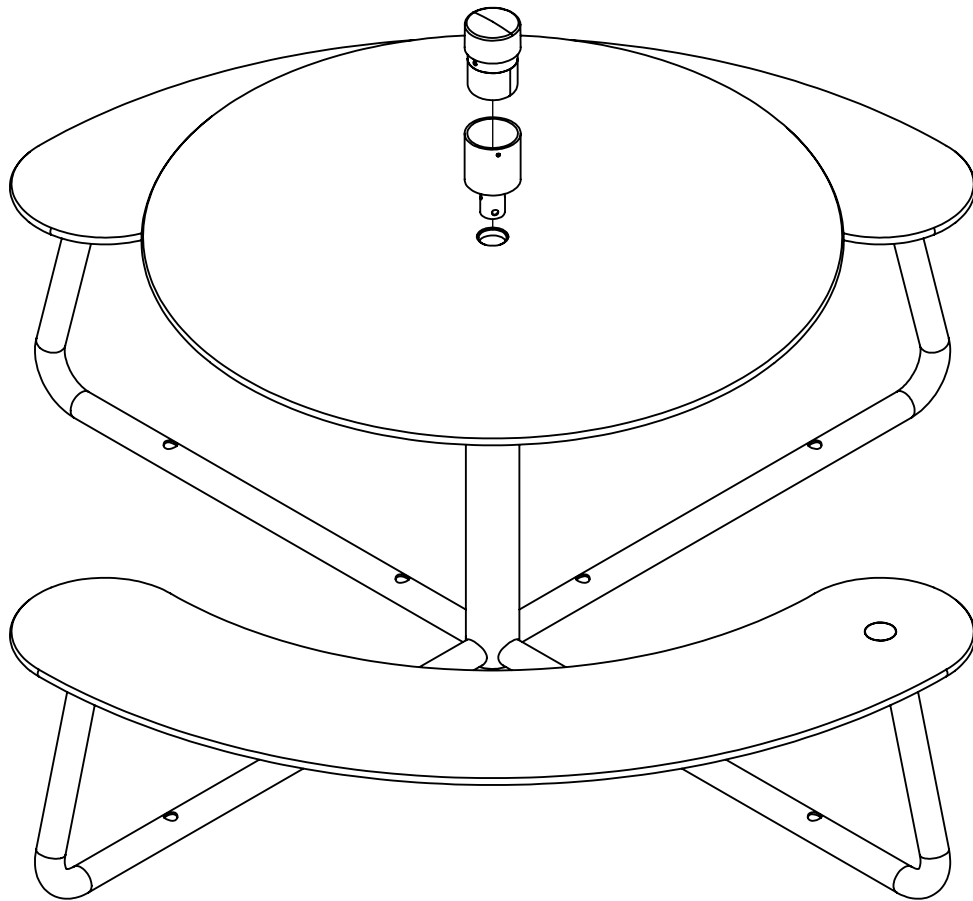


Fastening of the disc

Use M8x90 bolt, nut and washer to fixate.

FIXATION OF POINT SUN

Place the Point sun unit in the hole in the center of the tabletop. Use the M8x90 bolt, washers, and nut to secure it.



Fastening of the disc
Use M8x90 bolt, nut and washer
to fixate.

CLEANING

Clean the laminate surface with warm water and a soft sponge.
NEVER use the abrasive "green" side of the sponge. Use an ordinary universal cleaner.

Difficult dirt must be removed with a nano sponge and water. Please take a closer look at our website, or contact us for information.



Kigkurren 8A
Islands Brygge
DK-2300 Copenhagen

out-sider.dk
+45 77 343 341